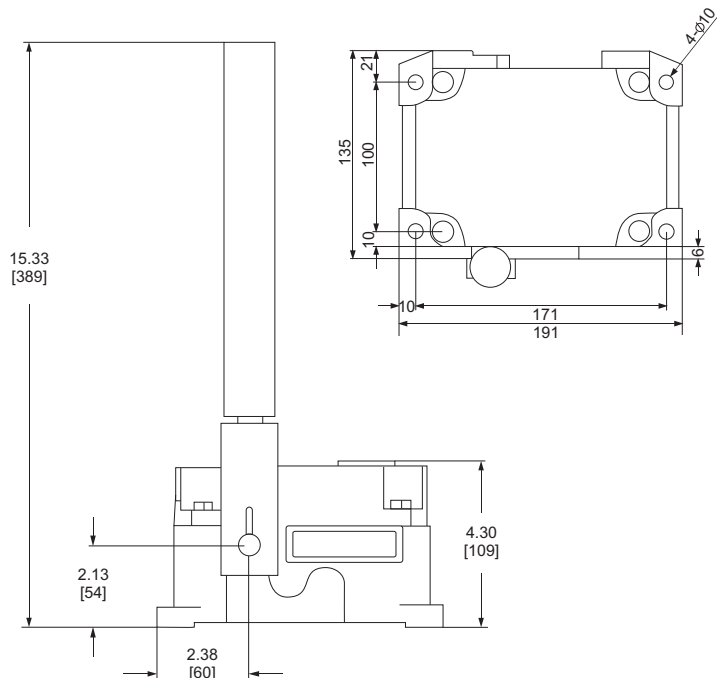


LLD7(YHFPK) Series Deviation switch系列跑偏开关

LLD7
YHFPK
DFP



结构特性 structural characteristic	坚固铸铝外壳，防护等级为NEMA-4，特殊表面处理。 Solid aluminum casting shell, protection grade 4 – NEMA for special surface treatment	
	FM认证用于二类区域，增加隔离后可用于一类区域。 FM certification for second-class area, home to increase after the separation can be used for a type of regionalism	
	拉绳开关双向触动，既可安装在输送机中间位置也可安装在其两端。 Stretching switch can be installed in two-way touches, middle position also can install belt at both ends.	
	通用的安装设计，可安装在输送机的纵梁顶部也可安装其两侧。 General installation, can be installed on the top and can be offset belt installation its ends.	
技术指标 technical target	环境温度Ambient temperature: -15° –+65° ; 相对湿度Relative humidity: 不大于90%	
	开关额定值: SPDT (单刀双掷) 开关10A/500V switch rating: SPDT(single-pole double throw)switch 10A/500V	
	锁定角度locking angle: 20	
	动作角度Action angle: 30	
	防护等级: NEMA4防风雨 protection degree:NEMA4 weather proof	
	拉力: 3-8公斤 (用户可选) pull:3-8KG(Users can choose)	
	FM认证, 二级: 1&2, E, F&2G组 FM certification, second class,1&2,E,F&2G	
适用场所 use palce	复位方式reset mode: LLP7-Z自动manually operation	LLP7-S手动mechanical life
	常规皮带输送机、梭式输送机、裙边式给料输送机、斗式提升机、包装生产线、堆料/取料系统、起重机、挖掘机、轮船装卸系统、水平给料机。 Conventional belt conveyor belt conveyors, skirt, feeding conveyer type, bucket, packaging production line, stockyard systems, feeding and unloading ships excavator, crane system level feeder.	