

## LLP1(JLK3) Series pull switch 系列拉绳开关

### 用途 Application

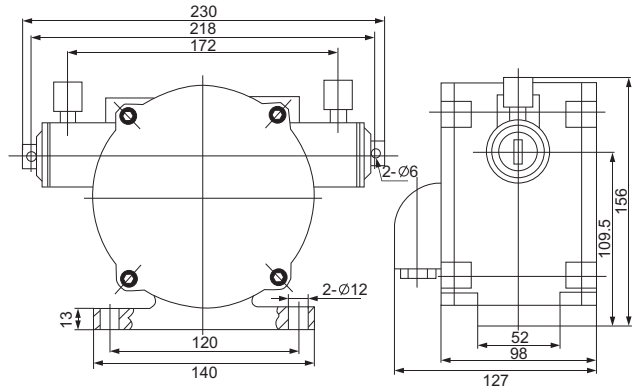
LLP1(JLK3)系列拉绳开关安装在胶带输送机两侧，是用于胶带输送机紧急事故停机的一种保护开关，在开关操作距离内任何一点拉动钢丝绳，切断运行电路使全线停机，实现对胶带机及人身安全的保护。

LLP1(JLK3)Series pullswitch is used in tape conveyer by mounting at both sides. It's a protection switch for emergency stop in case of trouble. within its effective working distance, pull this pullswitch to cut off the circuit, so as to prevent human body and machine from danger.

### 技术参数 Main technology data

型号 type	操作距离 working distance(m)	额定容量 Rated capacity	触点数量 qty.of contact	驱动力 driving force(N)	拉绳动作方向 pulling direction	复位方式 Reseting way	防护等级 protection degree
LLP1-S、Z JLK3-S、Z	30	AC380V2A	二开二闭 2open 2closed	>49	双向 double-way	S手动(manual) Z自动(automatic)	IP55

LLP1-S  
JLK3-S



LLP1-Z  
JLK3-Z

